

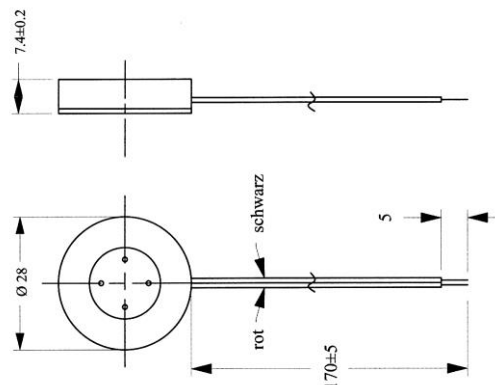
Hörkapseln ETR-28W Art.-Nr.: 210025

Specification :

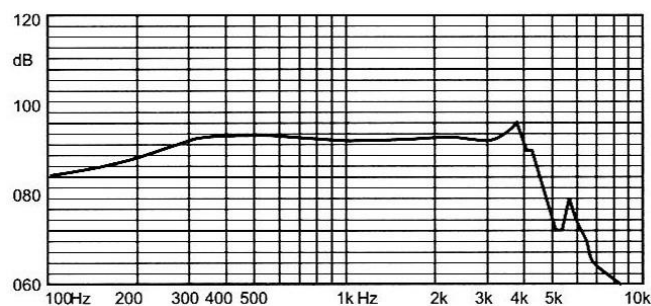
TYPE	UNIT	ETR-28W
Nominal Impedance	Ω	150 \pm 15%
Nominal Input Power	mW	10
Maximum Input Power	mW	60
Effective Freq. Range	Hz	200~4.000
Sound Pressure Level	dB	93 \pm 2/w
Frame Material		ABS
Magnet Material		Rare Earth
Operating Temperature	$^{\circ}\text{C}$	-20~+60
Storage Temperature	$^{\circ}\text{C}$	-30~+70

Dimensions:

(Unit: mm)



Typical Frequency response curve :



Version 1 / 10/2021